

Nobels ODR-S clone

By Krister Östman

zeta-sound.se

The complete layout will fit in a 1590B hammond style box.

Note that C1 and C2 has to be small and in a low profile.

The project includes components mounted on the copper side of the board, and don't miss the jumper under the germanium diodes.

Finally all caps have 5mm spacing, except for some electrolytes.

Bypass switching has been omitted for true bypass.

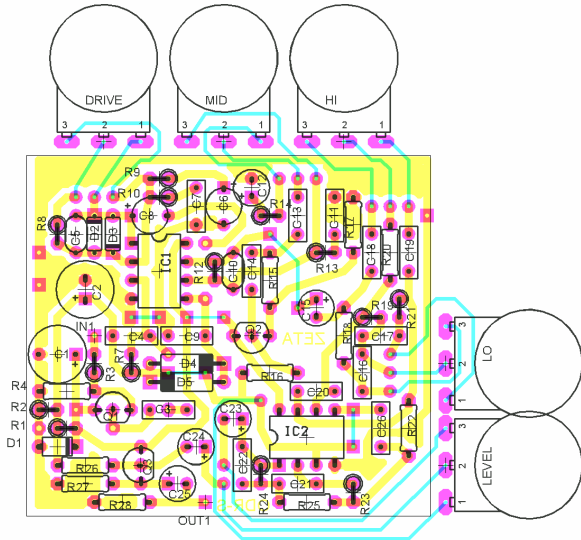
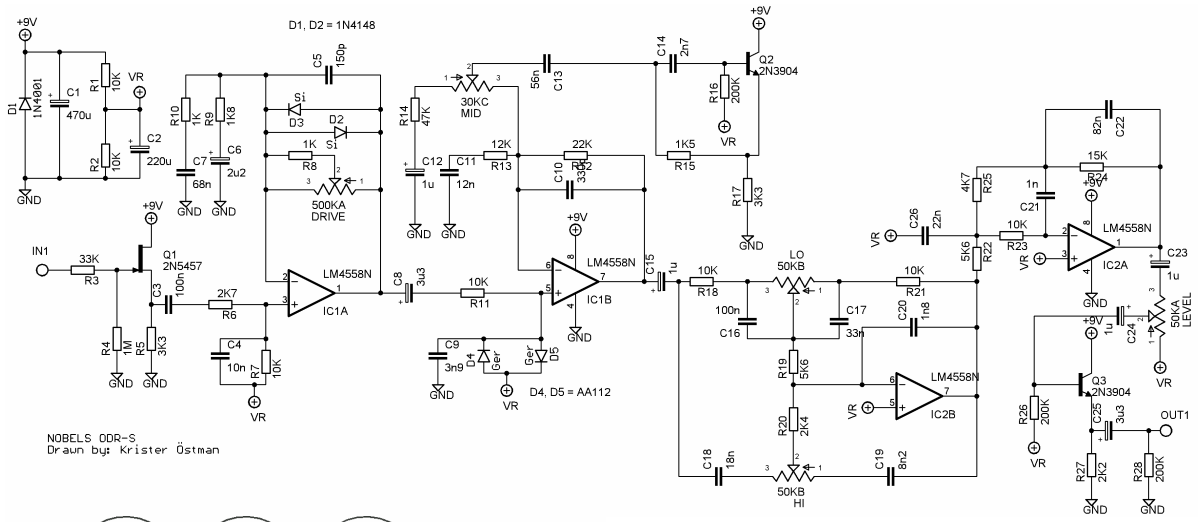
This is a verified build, all though I have edited the layout to correct som errors I had.

Partlist

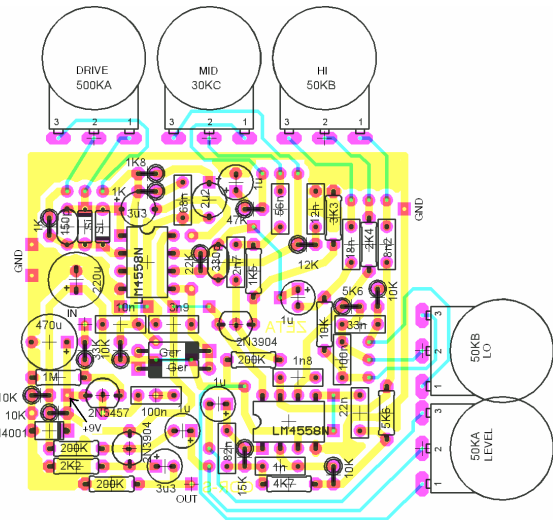
Part	Value	Part	Value	Part	Value	Part	Value
C1	470u	C15	1u	R3	33K	R17	3K3
C2	220u	C16	100n	R4	1M	R18	10K
C3	100n	C17	33n	R5	3K3	R19	5K6
C4	10n	C18	18n	R6	2K7	R20	2K4
C5	150p	C19	8n2	R7	10K	R21	10K
C6	2u2	C20	1n8	R8	1K	R22	5K6
C7	68n	C21	1n	R9	1K8	R23	10K
C8	3u3	C22	82n	R10	1K	R24	15K
C9	3n9	C23	1u	R11	10K	R25	4K7
C10	330p	C24	1u	R12	22K	R26	200K
C11	12n	C25	3u3	R13	12K	R27	2K2
C12	1u	C26	22n	R14	47K	R28	200K
C13	56n	R1	10K	R15	1K5		
C14	2n7	R2	10K	R16	200K		

Part	Value	Part	Value
D1	1N4001	IC1	KIA4558D, TL072 or similar
D2	1N4148	IC2	KIA4558D, TL072 or similar
D3	1N4148	DRIVE	500KA
D4	AA112	LEVEL	50KA
D5	AA112	HI	50KB
Q1	2N5457	LO	50KB
Q2	2N3904	MID	30KC
Q3	2N3904		

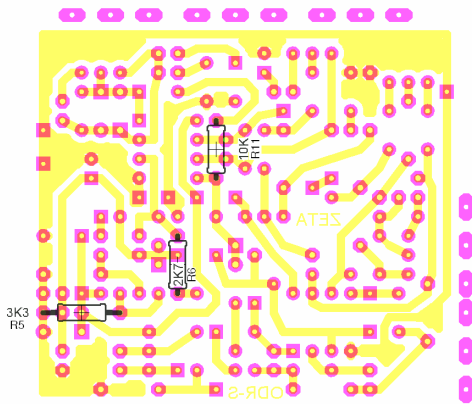
Schematic



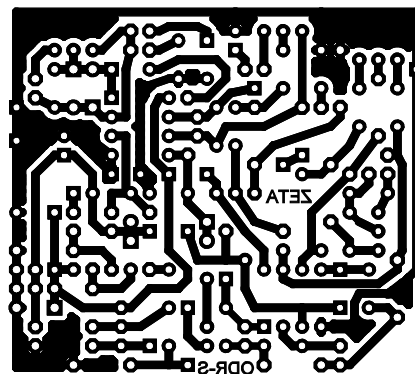
Top names



Top values



Bottom values and names



Layout