

Ibanez SM-9 clone

By **Krister Östman**

zeta-sound.se

The complete layout will fit in a 1590B hammond style box.

There will be no room for battery.

The project includes two component boards, some components are mounted on the copper side of the board, don't miss them.

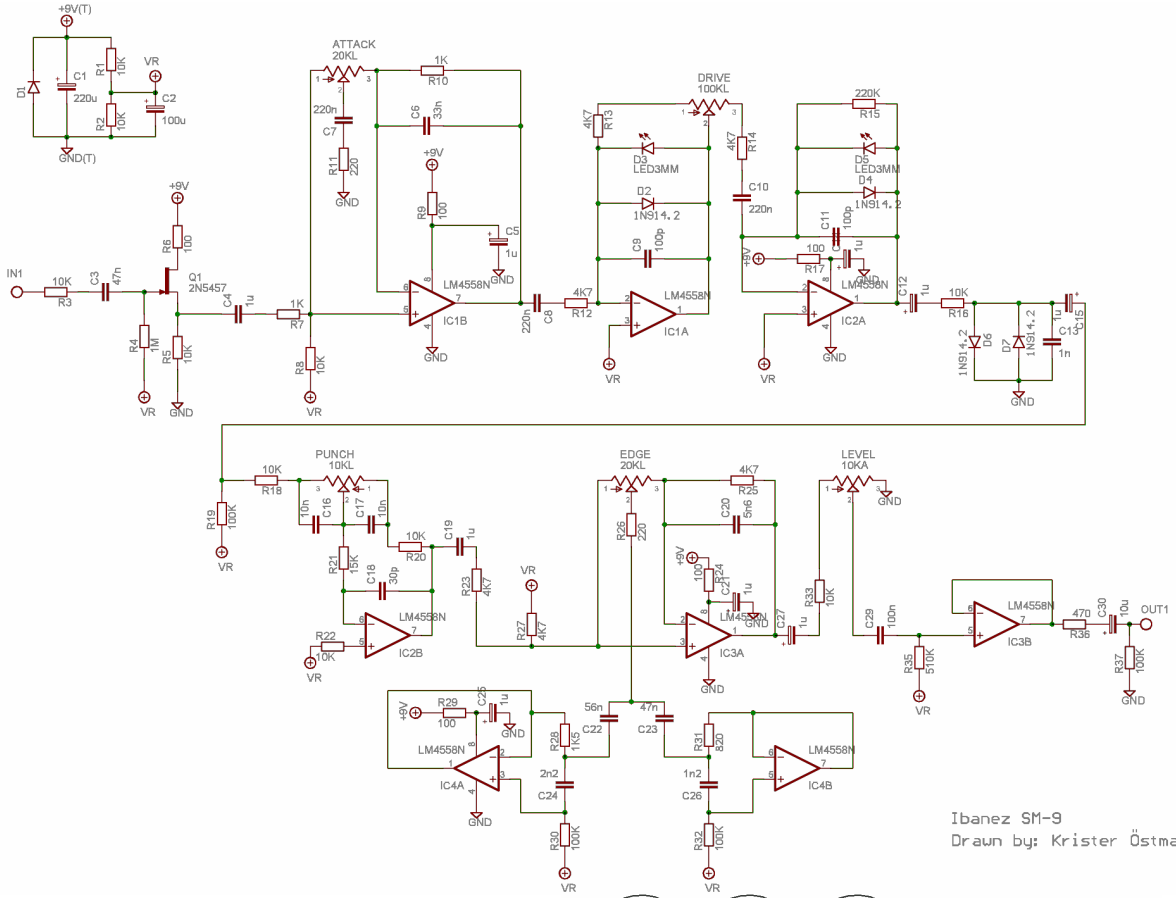
All film caps have 5mm spacing.

Bypass switching has been omitted for true bypass.

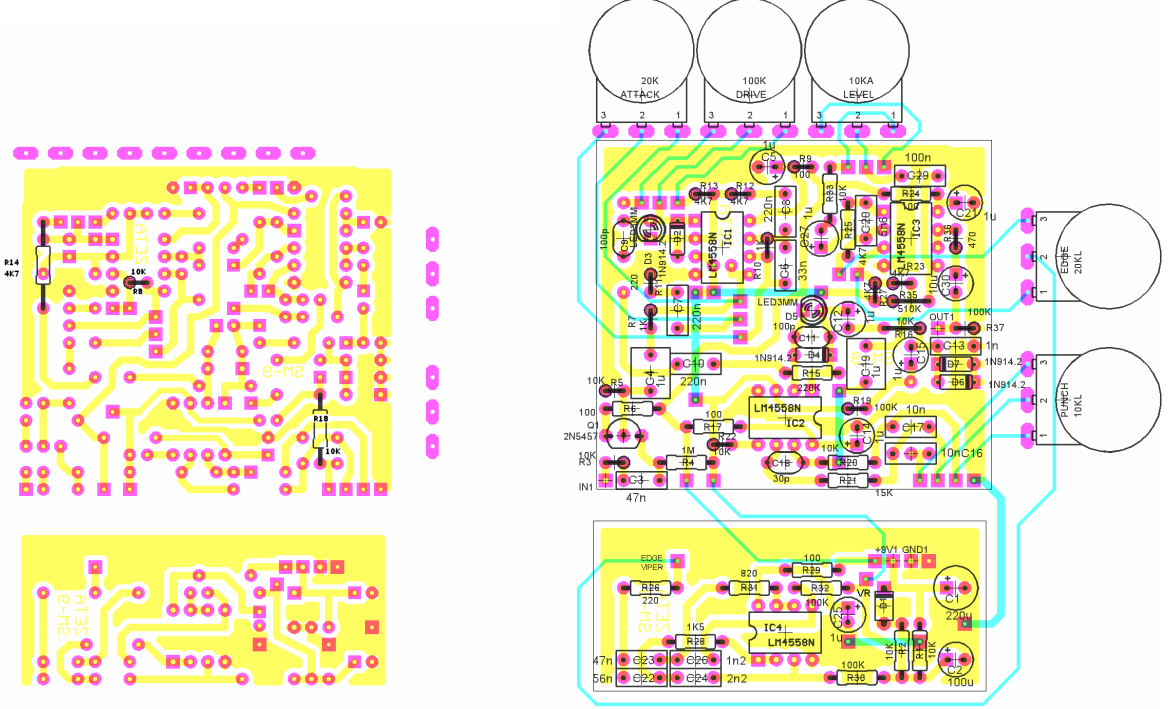
Partlist

Part	Value	Part	Value	Part	Value	Part	Value
C1	220u	C15	1u	R1	10K	R16	10K
C2	100u	C16	10n	R2	10K	R17	100
C3	47n	C17	10n	R3	10K	R18	10K
C4	1u	C18	30p	R4	1M	R19	100K
C5	1u	C19	1u	R5	10K	R20	10K
C6	33n	C20	5n6	R6	100	R21	15K
C7	220n	C21	1u	R7	1K	R22	10K
C8	220n	C22	56n	R8	10K	R23	4K7
C9	100p	C23	47n	R9	100	R24	100
C10	220n	C24	2n2	R10	1K	R25	4K7
C11	100p	C25	1u	R11	220	R26	220
C12	1u	C26	1n2	R12	4K7	R27	4K7
C13	1n	C27	1u	R13	4K7	R28	1K5
C14	1u	C29	100n	R14	4K7	R29	100
		C30	10u	R15	220K	R30	100K
						R31	820
						R32	100K
						R33	10K
						R35	510K
						R36	470
						R37	100K
Part		Part		Part			
IC1	RC4558N	D1	1N4001	Attack	20KL		
IC2	RC4558N	D2	1N914	Drive	100KA		
IC3	RC4558N	D3	RED LED3MM	Punch	10KL		
IC4	LM1458N	D4	1N914	Edge	20KL		
Q1	2N5457	D5	RED LED3MM	Level	10KA		
		D6	1N914				
		D7	1N914				

Schematic



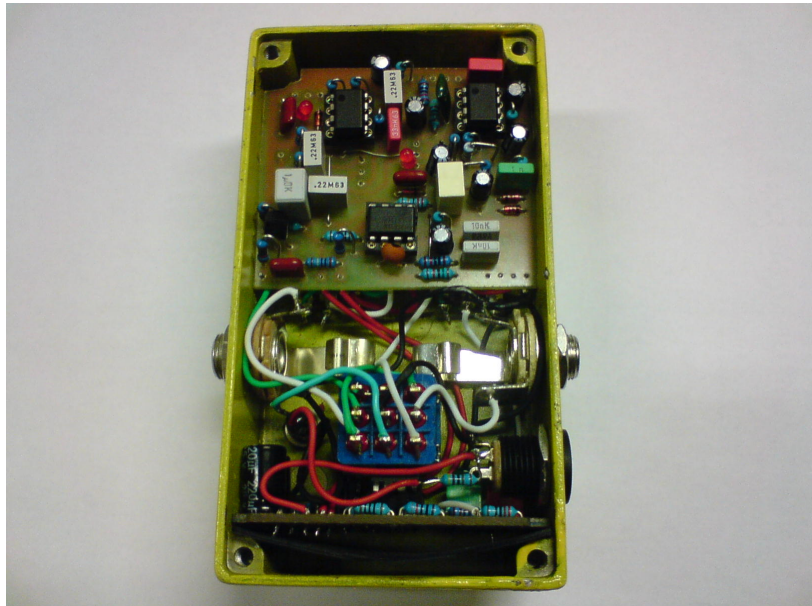
Ibanez SM-9
 Drawn by: Krister Östman



Bottom parts

Top parts

Guts



Layout

